

Viimeisin kampanjatiedottemme on ilmestynyt 21.9.20, kts tarkemmat tiedot **KAMPANJA**-linkistä!

Osallistu tästä ilmaiseen **timetoreply-webinaariin 8.10 & 13.10 klo 15:00**

SOFTA SUPERSTORE

WWW.SOFTASUPERSTORE.COM

WWW.OHJELMISTOT.FI

24.09.2020 • v42 • 21:34

Asiakaspalvelu
ark. 10.30 - 16
09 - 3424 370

TUOTEHAKU

[Tarkennettu haku](#)

TUOTERYHMÄT

HAE

-- Valitse --



Powered by
DataCenter Finland Oy

KIRJAUDU

OSTOSKORI

PÄÄVALIKKO

ETUSIVU
YRITYSTIEDOT
TUOTEPERHEET
TUOTERYHMÄT
SUPERHAKU
LISENSSIT
KAMPANJA
UUTUUDET
SUPERTARJOUKSET
SOFTABASAARI
SOFTAINFOA
Softautiset.
Käytetyt lyhenteet.
Tuote-esittelyjä.
Juridiikka.
Tietoturvaongelmien ratkaisuja.
Ohjelmistovalmistajien tukea.
Käyttäjäfoorumeja.
Hyödyllisiä apuohjelmia.
Softademo-linkkejä.
Lehdistölinkkejä.
Lehdistötiedotteita.
Seminaarikutsuja.
Asennusapua
Kaikenkattavat IT-palvelut
Muuta mielenkiintoista.
Vendors only!
Omat kotisivut
TILAUSOHJEET
POSTITUSLISTA
REKISTERÖINTI
PIKAHINNASTO
TARJOUSPYYNTÖ
PALAUTE
ATK-KAAPELIT
ATK-KIRJAT
ATK-LEHDET

CorelDRAW Technical Suite 2020



When we introduced CorelDRAW in 1989, we knew we had something special on our hands. With the first graphics software for the Windows® platform, Corel changed the way people express and share ideas—and users have been trusting their ideas to Corel products ever since.

Over the years, Corel has brought a spirit of innovation to the development of a range of award-winning products that includes graphics, painting, photo, video and office software. We've also earned a reputation for delivering high-quality products that are easy to learn and use, and help people achieve new levels of productivity. But more than that, we've built a relationship with a community of users—now 100 million strong—who have amazed and delighted us with everything they create using our software.

What our users do with our products says more about them than we ever could. That's why we're proud to share their stories and examples of their work on our website and in our communities. We're also inspired by the talent we see in the entries to our design contests, and the passion reflected in all the photos, videos and digital art our customers share online.

Today, our products—like our users—are embracing new possibilities. We're releasing more mobile apps, exciting 3D technology and products for new platforms. Plus, we continue to add exciting new capabilities to our popular products to ensure our users always have the quickest path to great results.

In 2011, we launched Corel Cares, a new philanthropy program inspired by our employees' desire to pursue a broader mission for the company, one with a lasting social and human impact. Focused on supporting children, education and the arts, in disadvantaged or underserved communities, Corel Cares channels the commitment and compassion of Corel's global employees into a common cause. We've partnered with Room to Read, an internationally recognized organization that's helping to transform the lives of millions of children—and their communities—by focusing on literacy and gender equality in education.

Corel's headquarters are in Ottawa, Canada, with major offices in the United States, United Kingdom, Germany, Taiwan, China and Japan. Our products are available around the world through a well-established network of international resellers, retailers, original equipment manufacturers, online providers and on our websites. Corel's product line includes CorelDRAW® Graphics Suite, Painter®, Corel DESIGNER® Technical Suite, PaintShop® Pro, VideoStudio®, WinDVD®, WordPerfect® Office and WinZip®.

One of the things we enjoy most at Corel is getting to know our customers. If you'd like to connect with us, please join our communities, check out our blog or follow us on Twitter. We'd love to hear from you!

luotettava
kumppani



2019
Softa Superstore
Finland Oy

asiakastieto.fi

NEW!
CoreIDRAW[™]
TECHNICAL SUITE 2020

Seriously productive.
Incredibly precise.

LEARN MORE



CoreIDRAW Technical Suite 2020

Seriously productive. Incredibly precise.



In a world where details matter, CoreIDRAW[®] Technical Suite 2020 is designed to connect the dots in all aspects of visual communication — from project creation and authoring, to collaborative review and output. Create detailed parts illustrations, assembly instructions, schematics, and other intricate visuals, with a comprehensive collection of professional applications for specialized technical design and documentation. From manufacturing and engineering to architecture and high tech, we've got you covered with timesaving new illustration features and game-changing collaboration tools to reach new levels of productivity. Create with even more control, thanks to the new Thick and thin line drawing mode and enhanced callout handling, and enjoy a faster, more responsive design experience with significant performance gains. For seriously productive, incredibly precise technical design and illustration, choose CoreIDRAW Technical Suite 2020.

Precise

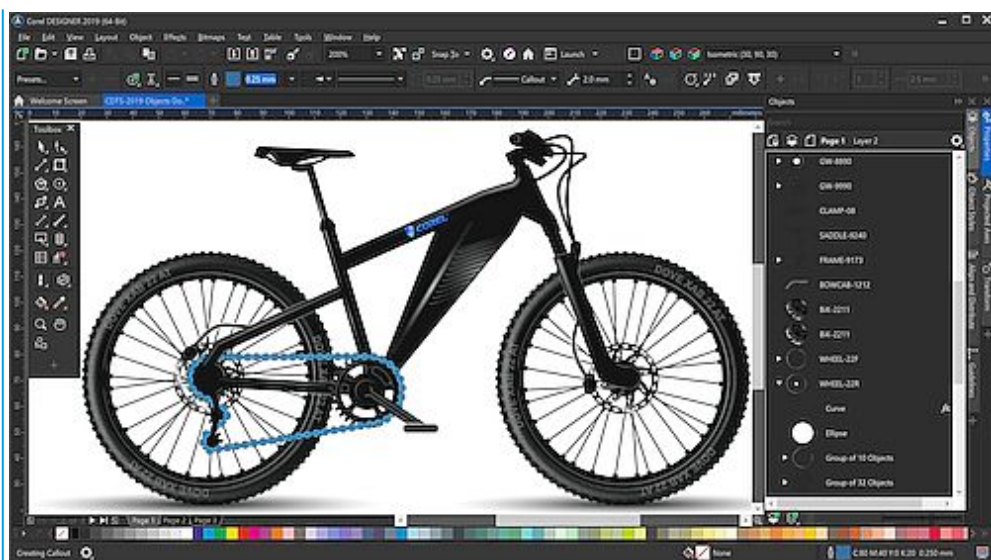
When it comes to visually communicating how something is designed, assembled or operates, accuracy is paramount. CoreIDRAW[®] Technical Suite 2020 offers a range of precise illustration and design tools to create detailed technical documentation with exact specifications.

Productive

Whether you're creating complex user manuals or intricate schematics, no time or effort is wasted with this highly efficient solution for technical design. Enjoy a seamless workflow from opening 2D and 3D source files, photos, documents and data, to producing, collaborating on, and publishing technical communications.

Comprehensive

You can count on this complete suite of professional design applications for all your visual communication needs - from authoring technical documentation, to collaborating on designs and publishing detailed illustrations with ease.



Top 5 Reasons to Buy

1. Complete suite for visual technical communication

Created to meet the demands of technical communication professionals and technical graphics users, CorelDRAW® Technical Suite 2020 is your one-stop source for professional visual communication. Create everything from precise technical illustrations with Corel DESIGNER™ to compelling marketing materials with CorelDRAW®. Edit photos for documentation with Corel PHOTO-PAINT™ and add screenshots with CAPTURE™. When you're ready to share files for collaborative review and approval, use web-based CorelDRAW.app™ to streamline the stakeholder feedback process.

Note: Collaboration features are available exclusively with a CorelDRAW Technical Suite subscription, licensing with maintenance, or an additional purchase plan for perpetual license customers.

2. Graphically rich technical design tools

Accelerate your workflow with powerful, dedicated illustration and design tools that ensure accuracy for isometric drawing, detailed callouts, advanced dimensioning, and so much more. CorelDRAW Technical Suite 2020 is packed with features and functionality that enable technical illustrators, writers and graphics users to produce just about anything!

3. Repurpose key assets

Retrieve your important content and data from various sources. Repurpose 3D designs with the integrated XVL Studio Corel Edition, and the optional XVL Studio 3D CAD Corel Edition add-on for advanced 3D CAD assembly formats. With 3D visualization efficiencies, you can insert 3D models as linked or embedded objects into Corel DESIGNER™ illustration files for instant access, sharing and reference.

4. Unmatched file format compatibility

With support for the latest file formats widely used in technical publications, including CGM, WebCGM, SVG and PDF, CorelDRAW Technical Suite 2020 ensures that technical graphics professionals can access critical data from

NEW!



CorelDRAW
TECHNICAL SUITE 2020

Seriously
productive.
Incredibly
precise.

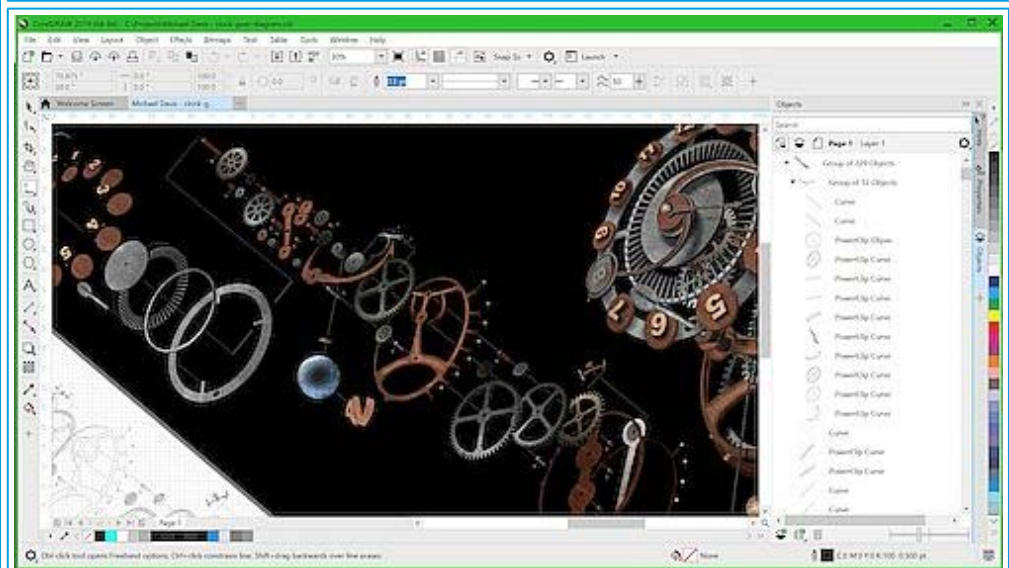
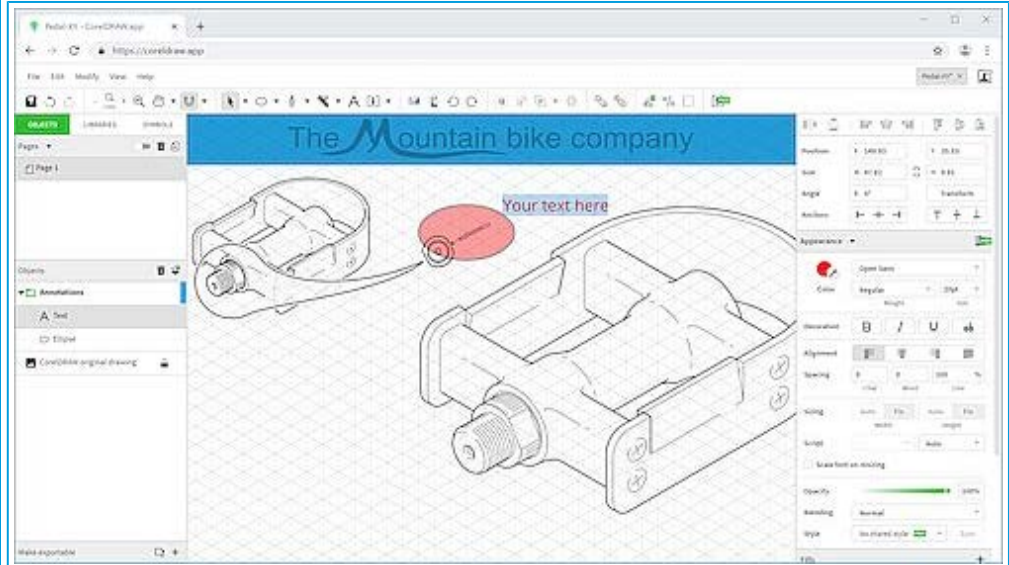
LEARN MORE



various sources and deliver technical files in a readable format. Import from, and export to, more than 100 file formats, including EPS, DWG, TIFF, PNG, and JPEG.

5. Advanced standards compliance

Ensure compliance with various standards-based systems thanks to CorelDRAW Technical Suite's comprehensive support for technical publication standards. Reach a worldwide audience with Translation Memory System (TMS) support, making authoring localized documents a breeze. Publish S1000D (incl. Issue 5.0) or ATA iSpec 2200 compliant IETPs, and deliver technical communication projects that feature 3D PDF and PDF/A support.



Top 6 Reasons to Upgrade

<https://www.youtube.com/playlist?list=PLTPlByszNyoA2MCCF0Fkn0dBHuGloTnX4>

1. Enhanced callout handling

Enjoy a number of new optimizations when it comes to communicating information about a specific part of a technical drawing or illustration. Use the new Legless Callout tool when you want to add a callout that doesn't need a leader line to create distance from the part. Save time by automatically applying hotspots and object information on callouts as you draw them, and attach callouts to nested groups. Discover new callout scaling options and object information attached to symbols.

2. Seamless review, feedback, and collaboration

Get from ideation to output painlessly with new, game-changing collaboration

tools that enable you to connect with clients and colleagues on technical designs like never before. Share your concepts with your reviewers in the Cloud, inviting them to view, annotate, and comment directly on your CorelDRAW® or Corel DESIGNER™ file using CorelDRAW.app™. Making design changes couldn't be easier, with feedback from one or many contributors, all in one place—your working file.

3. Improved styles workflow

Boost your productivity when it comes to working with lines, halos, and styles. Take advantage of the timesaving new Thick and thin line drawing mode to automatically adjust line weights on curves, rectangles, ellipses, and more. Adding depth to an isometric drawing has never been easier, with the ability to apply two line weights at once and reverse them with a click. When it comes to adding halos on lines, enjoy the new ability to lock the ratio between your outline width and halo width for seamless scaling.

Note: Collaboration features are available exclusively with a CorelDRAW Technical Suite subscription, licensing with maintenance, or an additional purchase plan for perpetual license customers.

4. Timesaving new features and faster performance

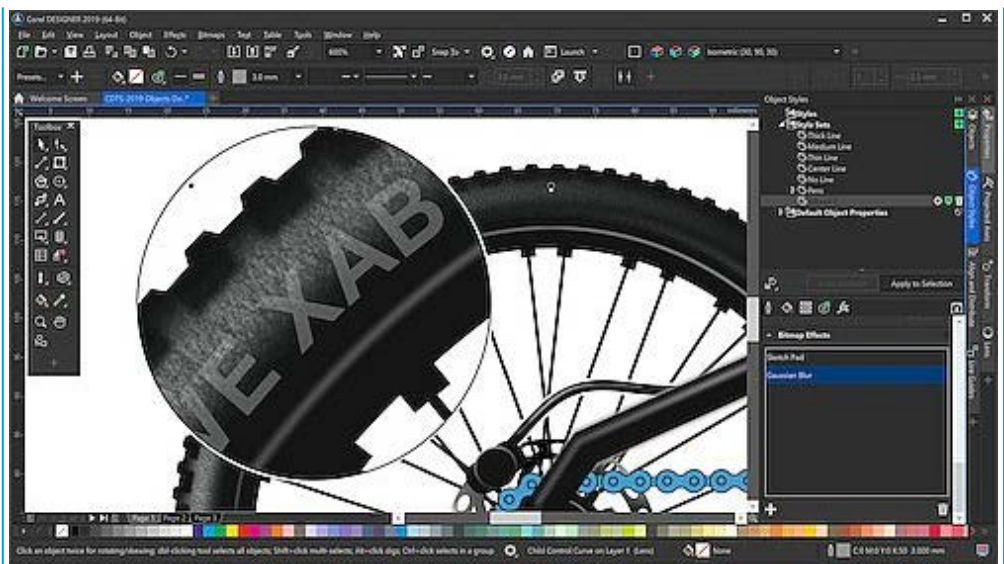
CorelDRAW® Technical Suite 2020 takes productivity seriously. Work more efficiently with a noticeably more responsive suite of applications, packed with tools that make a timesaving impact on your design experience. The new Wrap feature in Corel DESIGNER 2020 makes it quick and easy to precisely wrap an object around a cylinder, like adding a label to a bottle. CorelDRAW and Corel DESIGNER 2020 are loaded with features that use artificial intelligence (AI) to expand your design capabilities and accelerate workflows. Process images in high gear with AI-powered upsampling and JPEG artifact removal and enjoy next-level bitmap-to-vector trace results, made exceptional by machine learned algorithms.

5. Improved 3D repurposing with XVL Studio Corel Edition

Technical illustrators who leverage 3D designs from existing sources will benefit from a number of updates to XVL Studio Corel Edition, including a simplified object structure for imported 3D views in Corel DESIGNER, preserved object metadata, an optimized snapshots workflow, and so much more.

6. Leverage 3D CAD data with a powerful 3D CAD add-on

Transform complex 3D CAD parts and assemblies into comprehensible visualizations with XVL Studio 3D CAD Corel Edition, the essential add-on to CorelDRAW Technical Suite 2020. The latest version of this powerful 3D authoring software is packed with productivity and performance enhancements, as well as added file format support. Save time with a more efficient process for updating 3D-sourced illustrations in Corel DESIGNER, and enjoy more control over automated updates, thanks to enriched Auto Detection and Update functionality. Benefit from a number of improvements to advanced object structure handling—from streamlined Replace Assembly updates, to powerful enhancements to the Edit panel.



Flexible purchasing options and pricing

Perpetual License

Receive the right to own and use the software version forever, with no extra cost.

- One-time payment
- Available to purchase as a download, box or volume license
- Enjoy the full benefits of the specific version you have purchased, forever

Upgrade Protection Program

Save on future versions with an easier and more affordable way to stay up to date.

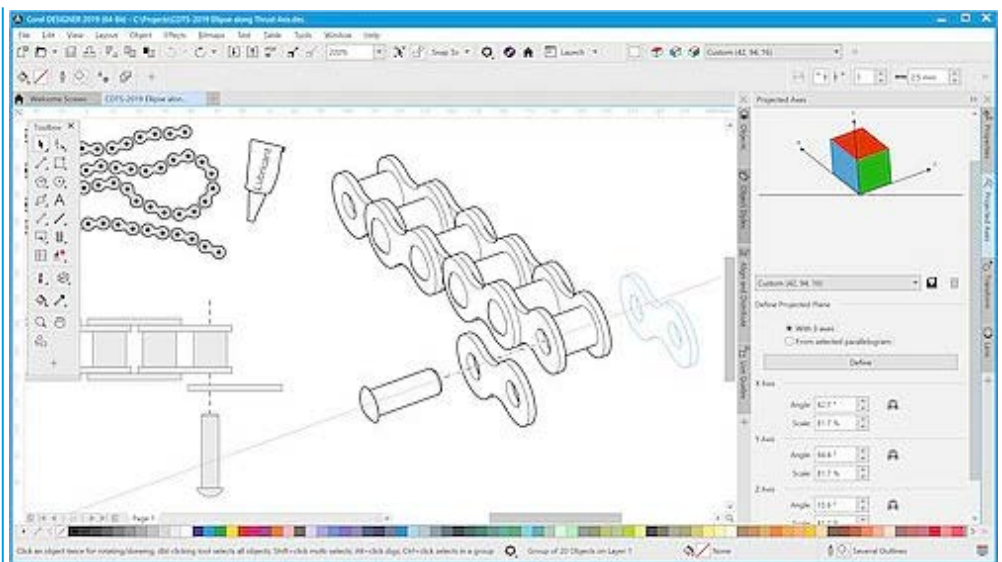
- One low annual payment
- Access the latest version of the applications, as soon as they become available
- Support for the latest operating system updates, devices and technologies
- Continue to use your latest version forever, even if you decide to stop the Upgrade Protection Program

Subscription

A low annual cost and the flexibility to stop paying as your software needs change.

- One low annual payment
- Access the latest version of the applications, as soon as they become available
- Support for the latest operating system updates, devices and technologies





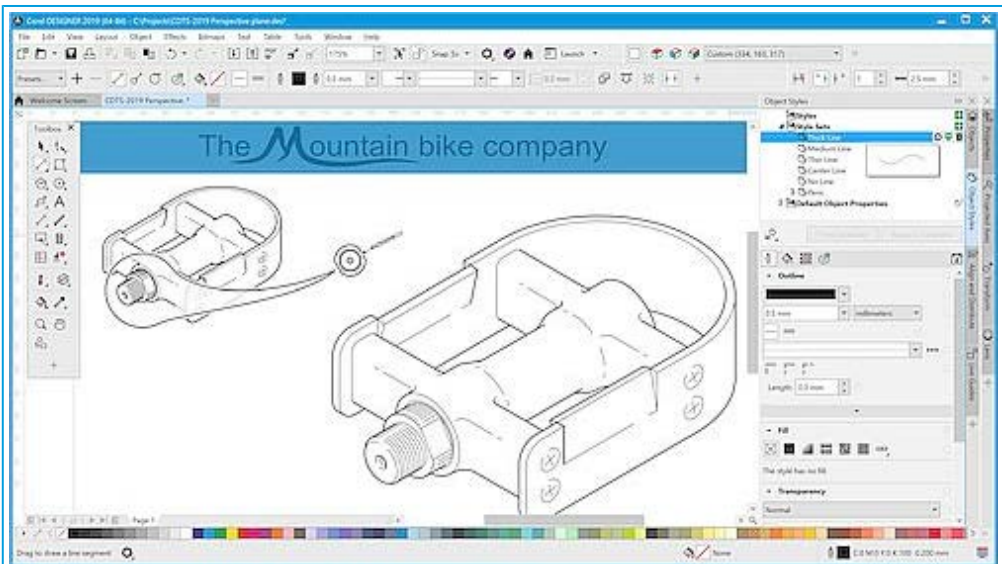
Upgrade Eligibility

To purchase the upgrade version, you must own a licensed version of CorelDRAW Technical Suite, CorelDRAW Technical Pack or Corel DESIGNER Technical Suite. Please note that upgrade eligibility excludes Academic, Home & Student Suite, OEM and Not for Resale (NFR) versions.

Upgrade eligibility for XVL Studio 3D CAD Corel Edition:

To purchase the upgrade version of the XVL Studio 3D CAD Add-On, you must own a previous licensed version of Lattice3D Studio CAD Corel Edition or XVL Studio 3D CAD Corel Edition (Technical Suite 2019/ 2018 / 2017 / X7 / X6 Add-on). Please note that upgrade eligibility excludes Trial, Academic, OEM and Not for Resale (NFR) versions.

Note: XVL Studio 3D CAD Add-On product unlocks additional functionality for the XVL Studio Corel Edition application integrated with CorelDRAW Technical Suite 2020. A licensed copy of CorelDRAW Technical Suite 2020 is required for this add-on.



CorelDRAW Technical Suite 2020 : What's Included

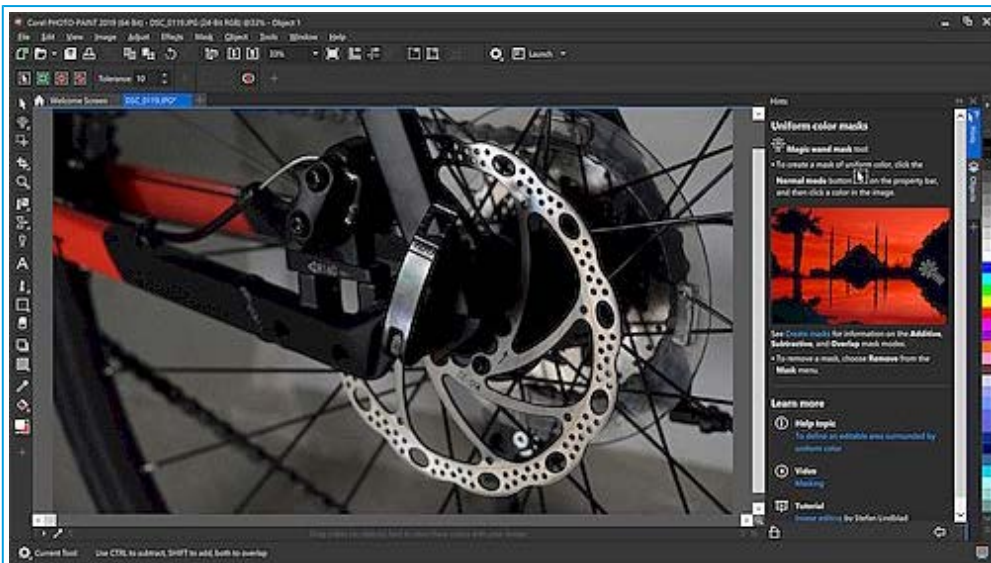
Main Applications

- Corel DESIGNER™ 2020 – Precise technical illustration
- CorelDRAW® 2020 – Vector illustration and page layout
- Corel PHOTO-PAINT™ 2020 – Professional image editing
- XVL Studio Corel Edition – 3D visualization and authoring
- Corel Font Manager™ – Font exploration and management tool
- PowerTRACE™ – AI-powered bitmap-to-vector tracing (included as part of Corel DESIGNER and CorelDRAW applications)

- CorelDRAW.app™ – Online vector illustration and graphic design via web browser
- CAPTURE™ – Screen capture tool
- AfterShot™ 3 HDR – RAW photo editor

Content

- 4,000 industry-standard symbols: Architectural, Electrical, General, Mechanical, and Tools
- 7,000 clipart, digital images, and vehicle wrap templates
- 1,000 high-resolution digital photos
- Over 1,000 TrueType and/or OpenType fonts
- Over 150 professionally designed templates, incl. 40+ technical ANSI, DIN, and ISO standard templates
- Over 600 fountain, vector and bitmap fills



CorelDRAW Technical Suite 2020 - System requirements

- Windows 10*, Windows 8.1 or Windows 7, in 64-bit, all with latest Updates and Service Packs
- Intel Core i3/5/7/9 or AMD Ryzen 3/5/7/9/Threadripper, EPYC
- OpenCL 1.2 capable video card (recommended)
- 4 GB RAM (8 GB or more recommended)
- 7.4 GB hard disk space
- Multi-touch screen, mouse or tablet
- 1280 x 720 screen resolution at 100% (96 dpi)
- Microsoft Internet Explorer 11 or higher
- Microsoft.NET Framework 4.7.2
- DVD drive optional (for box installation); Installation from DVD requires a download of up to 2 GB
- Internet connection is required to install and authenticate CorelDRAW Technical Suite and access some of the included software components, online features and content. For more information, please visit www.coreldraw.com.




*CorelDRAW Technical Suite 2020 supports Windows 10, version 1903, 1909 and later versions which may be released during the lifecycle of CorelDRAW Technical Suite 2020. Variable fonts are supported on Windows 10 only.



CorelDRAW Technical Suite 2020 - 8 tuotetta

[<< edellinen sivu \(sivu 1/1\) seuraava sivu >>](#)

TUOTENIMIKE	HINTA (alv0%)
CorelDRAW Technical Suite 2020 (ML) ESD 365-Day Subscription	414,00 € OSTA i
CorelDRAW Technical Suite 2020 (ML) ESD Business	829,00 € OSTA i
CorelDRAW Technical Suite 2020 (ML) ESD Business CorelSure 1 Year Maintenance only	166,00 € OSTA i
CorelDRAW Technical Suite 2020 (ML) ESD Business CorelSure 1 Year Maintenance Renewal	166,00 € OSTA i
CorelDRAW Technical Suite 2020 (ML) ESD Business Upg	356,00 € OSTA i

CorelDRAW Technical Suite 2020 (ML) ESD ACAD	122,00 €	OSTA 
CorelDRAW Technical Suite 2020 (ML) ESD ACAD 1 Year CorelSure Maintenance only	24,00 €	OSTA 
CorelDRAW Technical Suite 2020 (ML) ESD ACAD Classroom License 15+1-usr	1830,00 €	OSTA 



CorelDRAW
GRAPHICS SUITE 2020

Create with passion.
Design with purpose.

*When you purchase qualifying CorelDRAW Graphics Suite 2020. Terms and conditions apply.

Earn €200* cashback

LEARN MORE

Rosa Embutin



KESKITETYSTI



KESKITETYSTI